

# Silhouette/Series E

Electric projection screen with revolutionary case design

by **DRAPER**

## Specifications—Silhouette/Series E

\_\_\_\_\_ projection screens, size \_\_\_\_\_h. x \_\_\_\_\_w., wall or ceiling mounting, by Draper, Inc., Spiceland, Indiana. Case finished (White (standard)/black/grey), free of exposed fasteners. Back and top of extruded aluminum in L-shaped section; front in a contoured shape. Endcaps die-cast, of rounded design, flush with case contour. Front section easily removable for access to motor and viewing surface. Viewing surface to be flame and mildew resistant. Bottom of viewing surface enclosed in dowel; dowel to disappear inside case when retracted. Matt White and High Contrast Grey viewing surfaces shall qualify as low emitting and meet all of the requirements of the



GREENGUARD for Children and Schools and GREENGUARD certification program. Note: All viewing surfaces will be seamless. Electrically operated 60 hz., 110-120V AC, 3-wire motor mounted inside screen roller, 1.1 amp draw, instantly reversible, lifetime lubricated, with internal thermal overload protector and electric brake, with preset limits. Roller of 2" dia. metal. 3-position control switch to stop or reverse screen at any point. Switch(es) furnished with cover plate. Entire unit certified by Underwriters' Laboratories, Inc., for the U.S. and Canada. Entire unit patented by Draper, Inc. (U.S. Patent Nos. 6,111,694 and 5,296,964). MC1 is UL approved; approval for built-in MC1 is pending. **Downloadable 3-part specifications are available at [www.draperinc.com](http://www.draperinc.com).**

## Please Mark Appropriate Selections

### Select Viewing Surface:

- GREENGUARD for Children and Schools certified Matt White (1.0 gain)
- Glass Beaded
- GREENGUARD for Children and Schools certified High Contrast Grey (0.8 gain)
- Optional AT1200 (1.0 gain)<sup>1</sup>
- Optional AT Grey (0.8 gain)<sup>1</sup>

### Select Case Color:

- White (standard)
- Black
- Grey

### Select Mounting Method:

- Wall ("Z" Clips supplied)
- Ceiling (Ceiling bracket supplied)
- Extended Wall (Must be specified now and at time of order)
  - 6" brackets
  - 10"-14" brackets

### Select Motor and Controls:

#### Standard Voltage Motor and Control Options:

- 110-120V AC (standard)
- Optional Quiet Motor

Please Note: These motors come with one 110V-120V AC 3-position wall switch (silver wall plate with black rocker).

- \_\_\_\_\_ Total number of 110-120V AC switches (operate independently)
- Substitute white switch(es) for silver wall plate with black rocker
- Optional Key Operated Switch
  - Power Supply Key Switch (On-off)
  - 3-Position Key Control
  - 3-Position Switch with Hinged Key-Locking Coverplate

#### Low Voltage Motor and Control Options:

- Optional External LVC-III Low Voltage Control Module
- Optional Motor with Built-in Low Voltage Controller
- Optional Quiet Motor with Built-in Low Voltage Controller

Please Note: Select Control Options for Low Voltage from below.

- 24 Volt 3-Button Switch Number of 24V switches: \_\_\_\_\_
- Radio Frequency Remote Control (only with 24v)
- Infrared Remote Control (only with 24v)
- Optional Key Operated Switch
  - Power Supply Key Switch (On-off)
  - 3-Position Key Control
  - 3-Position Switch with Hinged Key-Locking Coverplate

- MC1/Serial or Network Communication (please see and complete a Serial and Network Screen and Lift Control Planning Sheet)

- Optional Video Interface Control (not compatible with other controls)

- VIC-115  Override Switch  Override Switch (VICs are compatible only with the Override Switch, and not with any other wall switches or controls)
- VIC-12  Override Switch } not available if VIC is built-in.
- VIC-6  Override Switch

### Optional Accessories:

- Black Masking Borders (Standard on NTSC, HDTV & 16:10 Sizes)
- Extra Screen Drop<sup>2</sup>
  - Same color as viewing surface (standard on AV format screens)
  - Black (standard on all other formats)

Length of total drop (including standard 12" on some sizes—see grid at right)<sup>3</sup> \_\_\_\_\_

<sup>1</sup>Not recommended for screens smaller than 80" wide when used with LCD or DLP projectors.

## Dimensions & Data

Size H x W	Case Length <sup>2</sup>	Net Wt. (lbs.)	Qty.		
<b>1:1 AV Format</b>					
50" x 50"	61½"	27			
60" x 60"	71½"	29			
70" x 70"	81½"	34			
84" x 84"	95½"	40			
72" x 96"	108"	48			
96" x 96"	108"	53			
Nom. Diag.	Image Area	Overall Size	Case Length <sup>2</sup>	Net Wt. (lbs.)	Qty.
<b>4:3 NTSC Video Format</b>					
6'	42½" x 56½"	46½" x 59½"	71½"	26	
7'	50" x 66½"	53½" x 69½"	81½"	31	
100"	60" x 80"	64" x 83 1/2"	95½"	37	
10'	69" x 92"	73" x 96"	108"	45	
<b>16:9 HDTV Format</b>					
65" <sup>3</sup>	31¾" x 56½"	43¾" x 59½"	71½"	25	
73" <sup>3</sup>	36" x 64"	48" x 69½"	81½"	30	
82" <sup>3</sup>	40½" x 72"	52½" x 74"	86"	33	
92" <sup>3</sup>	45" x 80"	57" x 83½"	95½"	37	
100" <sup>3</sup>	49" x 87"	61" x 91"	103"	42	
106" <sup>3</sup>	52" x 92"	64" x 96"	108"	45	
<b>16:10 Format</b>					
67" <sup>3</sup>	35¼" x 56½"	47¼" x 59½"	71½"	25	
76" <sup>3</sup>	40" x 64"	52" x 69½"	81½"	30	
85" <sup>3</sup>	45" x 72"	57" x 74"	86"	33	
94" <sup>3</sup>	50" x 80"	62" x 83½"	95½"	37	
109" <sup>3</sup>	57½" x 92"	69½" x 96"	108"	45	

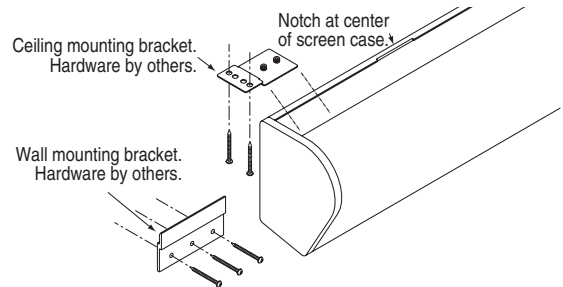
## Custom Size

<sup>2</sup> Factory installed LVC-III OR MC1 inside case will increase case length by 7<sup>3</sup>/<sub>8</sub>". Factory installed VIC-6, VIC-12 or VIC-115 will not increase case length. Extra Drop may increase case and dowel length.

<sup>3</sup> These sizes include 12" black drop as standard.

Also available in 1.85:1, 2.35:1 and 15:9 Formats. Contact Draper.

## Methods of Installation



411 S. Pearl St., Spiceland, IN 47385 USA ■ 765-987-7999  
 www.draperinc.com ■ fax 765-987-7142  
 Copyright © 2010 Draper Inc. Form SilhouetteE\_Sub10 Printed in U.S.A.

PROJECT: \_\_\_\_\_

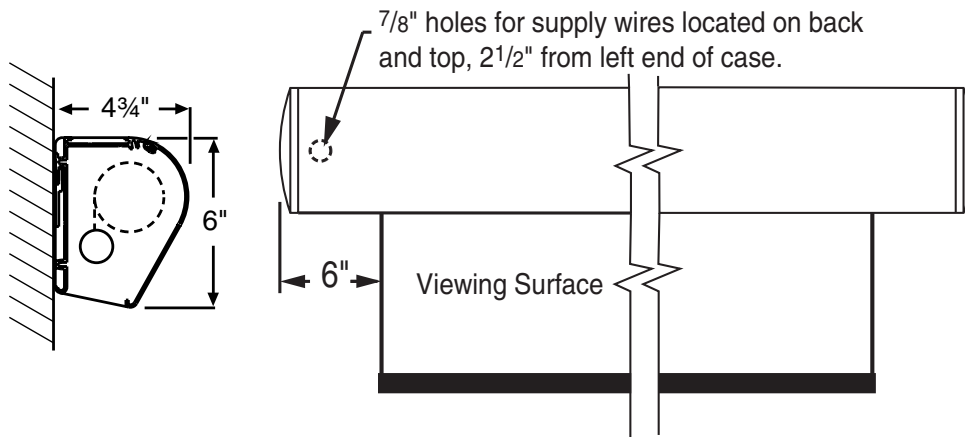
ARCHITECT: \_\_\_\_\_

CONTRACTOR: \_\_\_\_\_

SUPPLIER: \_\_\_\_\_

DATE: \_\_\_\_\_ REVISED: \_\_\_\_\_

## Case Dimensions

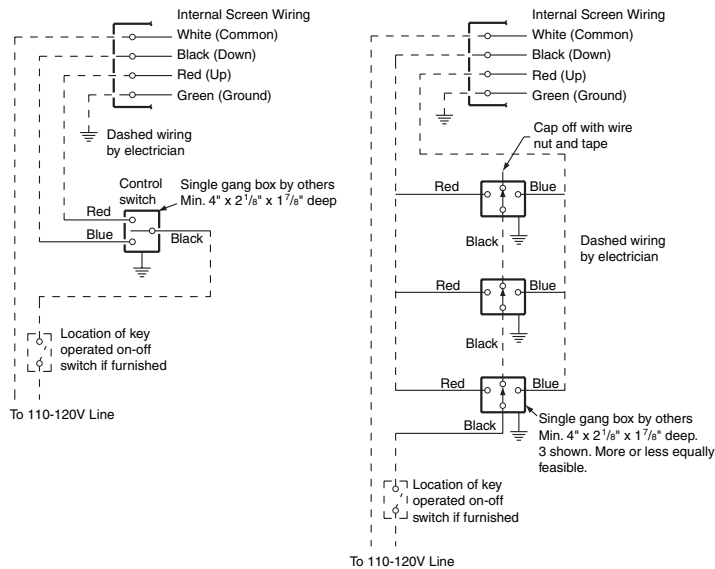


## Wiring Diagrams\*

### 110-120V Motor and Quiet Motor

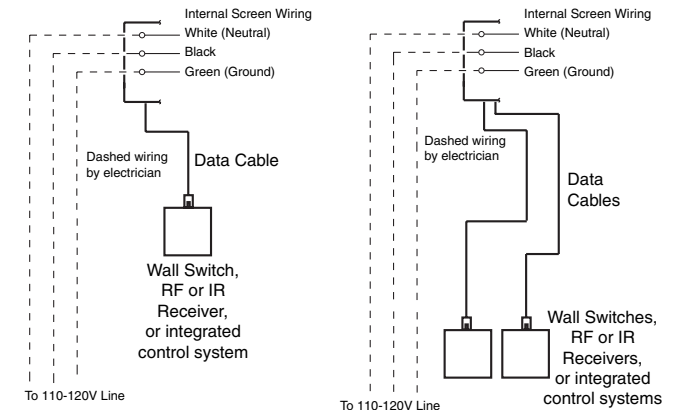
#### Single Station Control

#### Multiple Station Control



### 110-120V Motor and Quiet Motor with Built-in Low Voltage Controller

#### Single Low Voltage Control Multiple Low Voltage Controls



**Please Note: For external low voltage (LVC-III), serial (MC1) and network (MC1 & LS100) wiring diagrams, please consult instructions for those modules.**

**\* For more information and wiring diagrams for serial and network communication, please see the Serial and IP Screen and Lift Control Planning Sheet, Draper Screens and Lift Controls Wiring Manual and wiring diagrams supplied with individual items.**

PROJECT: \_\_\_\_\_

SUPPLIER: \_\_\_\_\_

DATE: \_\_\_\_\_ REVISED: \_\_\_\_\_